

■ Features

- 1.2 x 1.0 x 0.3 MAX. mm of surface mounted quartz crystal units.
- Excellent reliability characteristics such as heat and mechanical shock.
- Pb-free and satisfy RoHs requirements.
- Reflow soldering is available.

■ Applications

Mobile Communications, Bluetooth and Wireless LAN

■ Specifications

Frequency range	26~60 MHz
Overtone Order	Fundamental
Frequency tolerance at 25°C	±10 ppm or specify
Operating temperature range and frequency stability	See Table 1
Equivalent series resistance	See Table 2
Shunt capacitance	3 pF Max or specify
Load capacitance	8 pF or specify
Drive level (Max.)	10, 100, 200 μW or specify
Insulation resistance	500 M Min. at DC 100V
Aging at 25°C	±3 ppm / year Max.
Storage temperature range	-40 ~ +85 °C
Measure instrument	S&A 250B system with PI circuit

■ Table 1: Operating temperature range and frequency stability

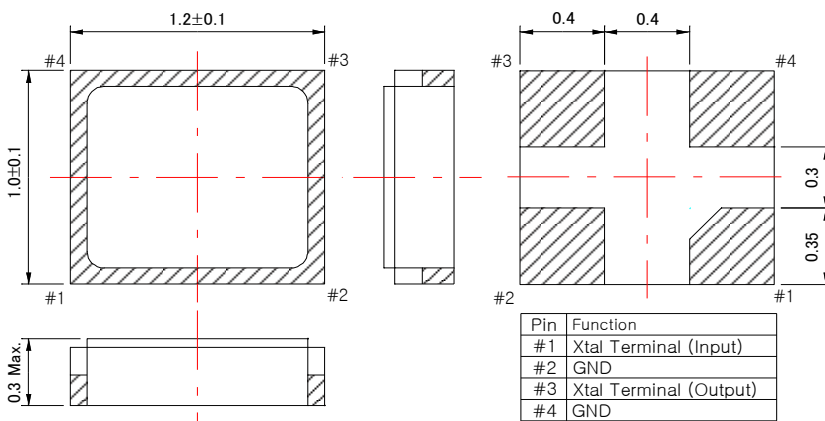
Temp	ppm				
	±5	±10	±15	±20	±50
0~+ 50 °C					
- 10~+ 60 °C					
- 20~+ 70 °C					
- 30~+ 85 °C					
- 40~+ 85 °C					

■ Table 2: Equivalent series resistance

Frequency (MHz)	Overtone Order	ESR (MAX)
26~32	Fundamental	150
32~48	Fundamental	100
48~60	Fundamental	60

The mark " " denotes our achieved level

■ Dimensions (unit: mm)



■ Land pattern (unit: mm)

